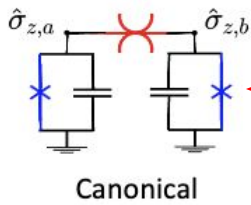
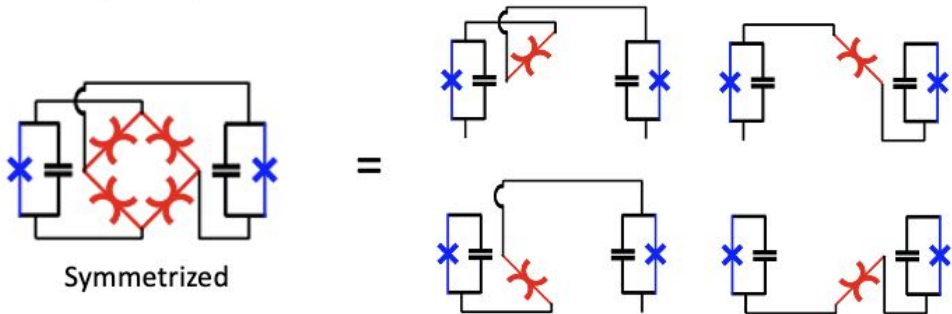


Example of a Poorly Designed Slide

Quarton ring modulator (QRM)

- Inspired by JRM



$$E_Q(\phi_a - \phi_b)^4 = E_Q[\phi_a^4 + \phi_b^4] + 6\phi_a^2\phi_b^2 - 4(\phi_a^3\phi_b + \phi_a\phi_b^3)$$

Self-Kerr cancellation Cross-Kerr χ Cancelled by symmetry

- Residual capacitance, imperfect quarton inductance all cancelled as well

Unhelpful title

Subfigure's connection to main figure not obvious

Buried message

Revised Example

Quarton ring modulator (QRM) cancels anti-symmetric coupling

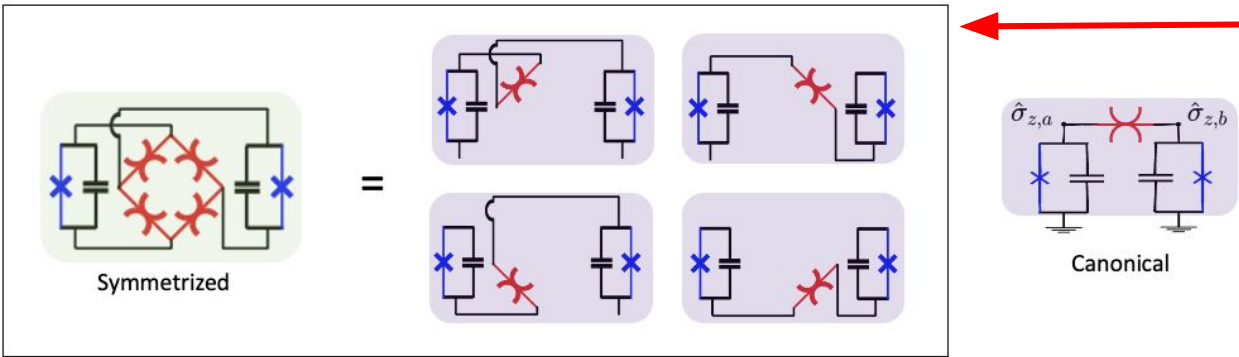


Figure: Decomposition of QRM coupling circuit into combinations of canonical coupling circuit

$$E_Q[\phi_a^4 + \phi_b^4 + 6\phi_a^2\phi_b^2 - 4(\phi_a^3\phi_b + \phi_a\phi_b^3)]$$

Cancelled by QRM symmetry

Title is message

Explicit figure boundary draws clear distinctions

Use of color shading to draw visual connection

Emphasized message

Note that minor points were discarded. Could prepare a backup slide in case committee asks